



HART

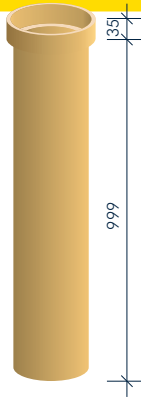
Ceramic Tubes

for chimney systems



MULTIKERAM · KLASSIK · AT-TUBES

HART
KERAMIK AG



HART

MULTIkeram Spigot-and-Socket Tubes

Ceramic tubes in accordance with DIN EN 1457-2

CE 1085 HART MULTIkeram

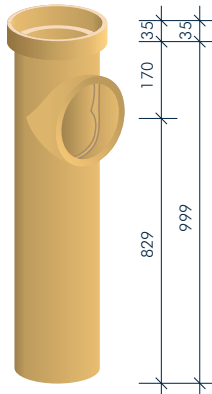
EN 1457-2 - (Ø) - A3N1 - D4P1

Water vapor diffusion category: WC

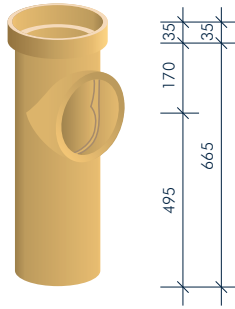
Items on stock: 1 m

Inserts + other lengths are made to order
lead time approx. 2 weeks

MULTIkeram spigot-and-socket tubes, 1 m installation length											
Nominal diameter	Tube wall thickness	Insulation thickness	Outer tube Ø w/o ins.	Outer tube Ø w/ ins.	Outer socket Ø w/o ins.	Tube weight	EURO-palett	PO number without insulation shell	Price	PO number extra price including insulation shell	Price
									€/meters going up		€/meters going up
120	10,5	20	140	180	159	9,85	28	12080 0120		12089 1121	
140	10,5	20	158	200	178	10,60	24	12080 0140		12089 1141	
160	10,5	20	179	221	199	12,40	20	12080 0160		12089 1161	
180	10,5	20	199	241	219	14,50	20	12080 0180		12089 1181	
200	10,5	20	219	262	239	15,50	17	12080 0200		12089 1201	
250	11,0	23	272	315	294	20,45	8	12080 0250		12089 1251	
300	14,0	25	332	382	351	29,95	6	12080 0300		12089 1301	

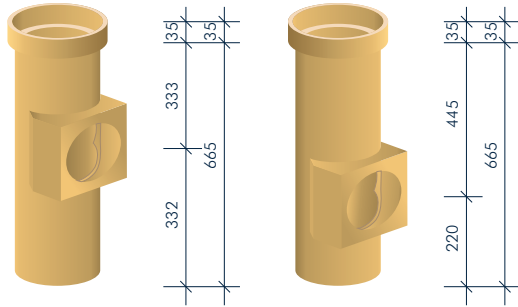


MULTIkeram spigot-and-socket tubes, 1 m installation length, with flue-tube connection pieces							
Nominal diameter	construction clear width of connection piece	Insert weight	EURO-palett	PO number for tube with MKR-RRÖ flue-tube connection piece, without insulation shell	Price	PO number extra price including insulation shell	Price
					€/unit		€/unit
Tubes with short 90 mm M1 flue-tube connection piece							
120	119	10,20	20	12082 3126		12089 0121	
140	137	15,60	20	12082 3146		12089 0141	
160	158	15,60	15	12082 3166		12089 0161	
180	178	22,00	12	12082 3186		12089 0181	
200	198	22,00	12	12082 3206		12089 0201	
250	250	22,10	8	12082 3256		12089 0251	
300	300	32,00	6	12082 3306		12089 0301	
Tubes with long 150 mm M2 flue-tube connection piece							
120	119	10,80	16	12082 6125		12089 0121	
140	137	16,40	16	12082 6145		12089 0141	
160	158	16,80	12	12082 6165		12089 0161	
180	178	23,10	12	12082 6185		12089 0181	
200	198	23,20	9	12082 6205		12089 0201	
250	250	23,30	6	12082 6255		12089 0251	



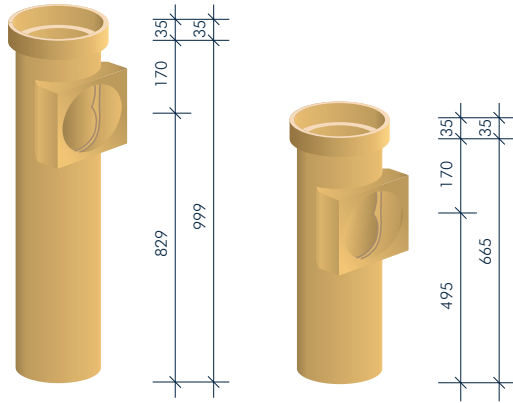
MULTIkeram spigot-and-socket tubes, installation length 66.5 cm, with MKR-RRÖ flue-tube connection piece

Nominal diameter	construction clear width of connection piece	Insert weight	EURO-pallet		PO number for tube with MKR-RRÖ flue-tube connection piece, without insulation shell	Price	PO number extra price including insulation shell	Price
			center	top				
mm	mm	kg/unit	unit			€/unit		€/unit
Tubes with short 90 mm M1 flue-tube connection piece								
120	119	8,50	18	18	12081 3122		12089 0121	
140	137	8,50	16	20	12081 3142		12089 0141	
160	158	10,20	12	15	12081 3162		12089 0161	
180	178	11,30	9	12	12081 3182		12089 0181	
200	198	11,30	9	12	12081 3202		12089 0201	
250	250	15,40	8	8	12081 3252		12089 0251	
300	300	21,00	6	6	12081 3302		12089 0301	
Tubes with long 150 mm M2 flue-tube connection piece								
120	119	8,50	14	16	12081 4122		12089 0121	
140	137	8,50	12	16	12081 4142		12089 0141	
160	158	10,20	10	12	12081 4162		12089 0161	
180	178	11,30	10	12	12081 4182		12089 0181	
200	198	12,35	8	9	12081 4202		12089 0201	
250	250	17,40	5	6	12081 4252		12089 0251	



MULTIkeram spigot-and-socket tubes, installation length 66.5 cm, w/ KOSA saddle - control saddle)

Nominal diameter	KOSA borehole	Insert weight	EURO-pallet	PO number for tube with MKR-KOSA flue-tube connection piece, without insulation shell		Price	PO number extra price including insulation shell	Price	
				center	bottom				
mm	mm	kg/unit	unit			€/unit		€/unit	
Inserts without closing cap or inspection cover, see Page 7 MKR-RD ceramic inspection cover									
120	140	7,50	28	12081 2120	12081 2121		12089 0121		
140	140	8,40	24	12081 2140	12081 2141		12089 0141		
160	140	9,30	15	12081 2160	12081 2161		12089 0161		
180	140	9,90	15	12081 2180	12081 2181		12089 0181		
200	140	10,20	12	12081 2200	12081 2201		12089 0201		
250	180	15,10	8	12081 2250	12081 2251		12089 0251		
300	180	22,10	6	12081 2300	12081 2301		12089 0301		
140	installation of the ceramic inspection cover,				12031 4130				
180	supplement incl. cover				12031 4131				



MULTIkeram Spigot-and-Socket Tubes

MULTIkeram spigot-and-socket tubes, installation length 1 m, with MKR ASA II (flue gas connection)

Nominal diameter	Borehole MKR ASA II	Insert weight	EURO-pallet	PO number for tube with MKR-ASA II without insulation shell	Price	PO number extra price including insulation shell	Price
mm	mm	kg/unit	unit		€/unit		€/unit
120	140	12,00	28	12081 6122		12089 0121	
140	160	13,00	24	12081 6142		12089 0141	
160	180	15,50	15	12081 6162		12089 0161	
180	200	18,00	15	12081 6182		12089 0181	
200	220	19,00	12	12081 6202		12089 0201	

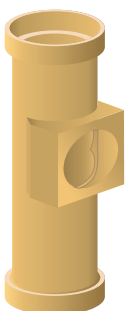
MULTIkeram spigot-and-socket tubes, installation length 66.5, with MKR ASA II (flue gas connection)

Nominal diameter	Borehole MKR ASA II	Insert weight	EURO-pallet	PO number for tube with MKR-ASA II without insulation shell	Price	PO number extra price including insulation shell	Price
mm	mm	kg/unit	unit		€/unit		€/unit
120	140	7,60	28	12081 5122		12089 0121	
140	160	9,10	24	12081 5142		12089 0141	
160	180	10,20	15	12081 5162		12089 0161	
180	200	11,40	15	12081 5182		12089 0181	
200	220	12,10	12	12081 5202		12089 0201	

MULTIkeram spigot-and-socket tubes, installation length 50 cm, installed as ready-made base with borehole, condensation panel, and flexible hose with connection


Nominal diameter	Borehole	Insert weight	EURO-pallet	PO number for ready-made base without insulation shell	Price
mm	mm	kg/unit	unit		€/unit
120	120	6,00	28	12081 0121	
140	140	7,00	24	12081 0141	
160	160	7,50	15	12081 0161	
180	180	8,00	15	12081 0181	
200	200	9,00	12	12081 0201	


MULTIkeram spigot-and-socket tubes, installation length 66.5, prefabricated base with condensate tray and KOSA



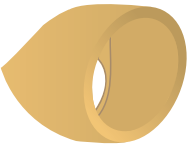
Nominal diameter	Weight	EURO-pallet	PO number for prefabricated base without insulation shell	Price	PO number extra price including insulation shell	Price
mm	kg/unit	unit		€/unit		€/unit
140	8,90	24	12081 8141		12089 0141	
160	10,70	15	12081 8161		12089 0161	
180	11,80	15	12081 8181		12089 0181	
200	12,60	12	12081 8201		12089 0201	
250	16,00	8	12081 8251		12089 0251	
300	20,00	6	12081 8301		12089 0301	


Components for MULTikeram Spigot-and-Socket Tubes


MKR-KOSA saddles for the inspection cover	Nominal Ø	Outer Ø	Weight	Borehole	PO number	Price €/unit
	mm	mm	kg/unit	mm		
	120	150/150	0,95	120	12086 1214	
	140	190/210	2,50	140	12086 1414	
	160	200/210	2,20	140	12086 1614	
	180	200/210	1,85	140	12086 1814	
	200	200/210	1,75	140	12086 2014	
	250	235/250	2,40	180	12086 2518	
	300	235/250	2,40	180	12086 3018	
KOSA pressed for MULTikeram and KLASSIK wall thickness 15 mm see page 11						

MKR ASA II saddles for flue gas connection	Nominal Ø	Outer Ø	Weight	Borehole	PO number	Price €/unit
	mm	mm	kg/unit	mm		
	120	170/190	1,60	140	12085 1214	
	140	190/210	2,40	160	12085 1416	
	160	215/230	2,70	180	12085 1618	
	180	235/250	4,30	200	12085 1820	
	200	255/270	4,15	220	12085 2022	

MKR-RA 90° saddle for flue tube, short 90 mm	Nominal Ø	Outer Ø	Weight	Wall thickness	PO number	Price €/unit
	mm	mm	kg/unit	mm		
	120	140	1,00	10,5	12087 3120	
	140	158	1,20	10,5	12087 3140	
	160	179	1,60	10,5	12087 3160	
	180	199	1,75	10,5	12087 3180	
	200	219	1,85	10,5	12087 3200	
	250	272	2,60	11,0	12087 3250	
	300	332	4,00	11,0	12087 3300	

MKR-RA 90° saddle for flue tube, long 150 mm	Nominal Ø	Outer Ø	Weight	Wall thickness	PO number	Price €/unit
	mm	mm	kg/unit	mm		
	120	140	1,65	10,5	12087 4120	
	140	158	1,90	10,5	12087 4140	
	160	179	2,10	10,5	12087 4160	
	180	199	2,45	10,5	12087 4180	
	200	219	2,90	10,5	12087 4200	
	250	274	4,10	11,0	12087 4250	

MKR-RD ceramic inspection cover inc. circlip	Nominal Ø	Ø inside	Ø outside	Weight	PO number	Price €/unit
	mm	mm	mm	kg/unit		
	140	133	170	1,0	12031 4122	
	180	173	210	1,6	12031 4124	
	140	installation of the ceramic inspection cover,			12031 4130	
	180	supplement incl. cover			12031 4131	

Cover lid for existing MKR flue-tube junctions	Nominal Ø Tube	clear wight	Outer Ø of lid	Weight	PO number	Price €/unit
	mm	mm	mm	kg/unit		
	140	140	134	0,40	12031 1003	
	160	160	152	0,55		
	180	180	172	0,70		
	200	200	194	0,90		
	250	250	242	1,40		